

GRP Trims & Accessories

Overview

Polyroof trims are hand-laminated using two layers of 300g/m² chopped strand matting embedded with a specially formulated resin. Compared to other fibreglass trims on the market, Polyroof's range are significantly stronger, more robust, less prone to damage and have excellent adhesion with Polyroof liquid resins. There is quite simply no other fibreglass trim on the market that can match the performance and durability of a Polyroof trim.



GRP Trim Range

Note - all Polyroof GRP Trims are 2.44m in length unless otherwise stated.

Drip Trim (aka Drip Edge)

Drip trims are fitted to perimeter edges where water runs into a gutter.

CODE	ITEM	PROFILE
155006	75mm Drip *	
155005	100mm Drip *	
155012	150mm Drip * Important - 150mm drip trims require additional face fixings.	

CODE	ITEM	PROFILE
155047	38mm Drip <i>Use only when specified by Polyroof Technical Services</i>	
155050	200mm Drip Important - 200mm drip trims require additional face fixings.	
155038	100mm 123° Angled Drip	

* Standard sized Drip Trims are supplied with jointing strips.

Upstand Fascia Trims (aka Raised Edge / Perimeter Kerb)

Upstand fascia trims are fitted to perimeter edges where a water check is required.

CODE	ITEM	PROFILE
155004	100mm Upstand Fascia *	
155031	125mm Upstand Fascia *	

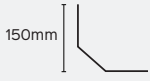

CODE	ITEM	PROFILE
155009	175mm Upstand Fascia * Important - 175mm upstand fascia trims require additional face fixings.	



* Upstand Fascia Trims are supplied with jointing strips.



Fillet Trims (aka Wall Abutment)


Fillet trims are installed at right angle details, such as wall abutments.

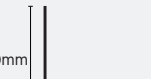
CODE	ITEM	PROFILE
155008	150mm Fillet	
155032	250mm Fillet	

CODE	ITEM	PROFILE
155033	350mm Fillet	
155041	400mm Fillet	

Right Angle Trims

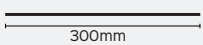
Right angle trims can be fitted to abutment details where it may not be practicable to install a fillet trim (such as a wall abutment detail on a balcony).

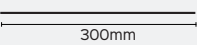
CODE	ITEM	PROFILE
155034	100mm Right Angle Abutment	

CODE	ITEM	PROFILE
155046	150mm Right Angle Abutment	

Flat Trims (aka Layboards)


Flat trims can be used at pitched roof abutment details and for various other detailing applications.

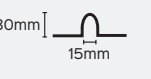
CODE	ITEM	PROFILE
155011	300mm Standard Heavy Duty Flat 2.44m length	

CODE	ITEM	PROFILE
157122	300mm Light Weight Flat 3m length *	

Simulated Metal Finish Trims *

Available in lead roll effect or standing seam variations, simulated metal trims offer an attractive finish and are usually used for pitched roofs or conservation work.

CODE	ITEM	PROFILE
157130	Lead Roll 3m length *	


CODE	ITEM	PROFILE
157131	Standing Seam 3m length *	

* **IMPORTANT** - The range of 3m trims require solvent wiping prior to coating with Polyroof liquids.

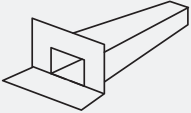
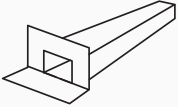
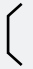
Expansion Trims

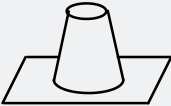
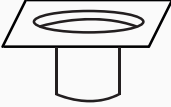
Used for timber decks in excess of 100m² or for any runs greater than 15lm.

CODE	ITEM	PROFILE
155036	Expansion <i>Includes expansion resin for coating trims</i>	

CODE	ITEM	PROFILE
155045	Flat Expansion <i>Includes expansion resin for coating trims. Use only when specified by Technical Services.</i>	

GRP Accessories

CODE	ITEM	PROFILE
155067	Through Wall Outlet Type 1 <i>Aperture 150mm x 150mm, length 600mm. Full dimensions available on request.</i>	
155068	Through Wall Outlet Type 2 <i>Aperture 100mm x 100mm, length 600mm. Full dimensions available on request.</i>	
155048	Termination Bar	 2.44m length. Full dimensions available on request.

CODE	ITEM	PROFILE
155069	Pipe Collar <i>To suit 110mm pipe. Full dimensions available on request.</i>	
155070	Flat Roof Outlet <i>To suit 110mm downpipe. Full dimensions available on request.</i>	
155070-LG	Click Leaf Guard for Flat Roof Outlet	Fits a 70-180mm downpipe
155071	Spider Leaf Guard for Flat Roof Outlet	Fits a 80-200mm downpipe